



General Contractor
/Antreprenor General



About Us

/Despre noi

We are part of every project

Company specializes in design and execution of civil and industrial construction.

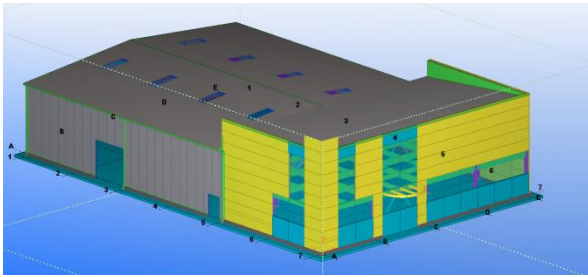
Projects with a high degree of difficulty in successful over the years have led to the accumulation of experience that allows us to not refuse any professional challenge.

Suntem in fiecare proiect

Companie specializata in proiectarea si executia constructiilor civile si industriale.

Proiectele cu grad ridicat de dificultate finalizate cu succes in decursul anilor au condus la acumularea unei experiente ce ne permite sa nu refuzam nicio provocare profesionala.

From Design to Delivery



Design

/Proiectare

Technical Documentation from Feasibility Study to Technical Project and Detailing of Execution.

Documentatie tehnica din faza de Studiu de Fezabilitate la Proiect Tehnic de Detalii de Executie

Your imagination, our motivation



Steel Structures

/Constructii metalice

Based on our experience and know-how we offer high quality services proved in time.

Experienta si know-how-ul ne permit sa oferim servicii de inalta calitate, dovedita in timp.



Reinforced Concrete Structures and Infrastructures

/Constructii din beton armat si lucrari de infrastructura

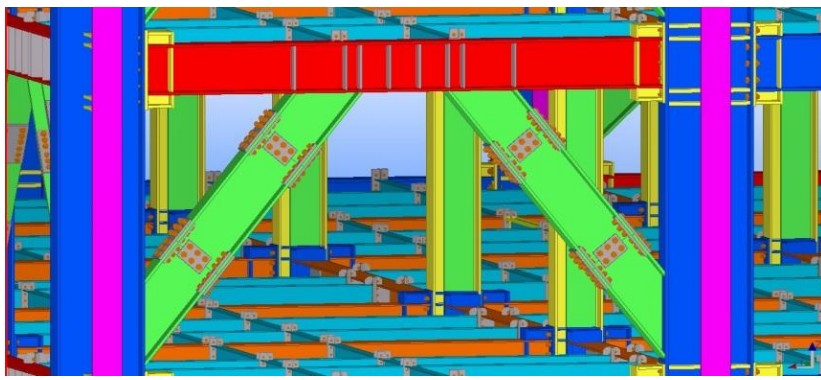
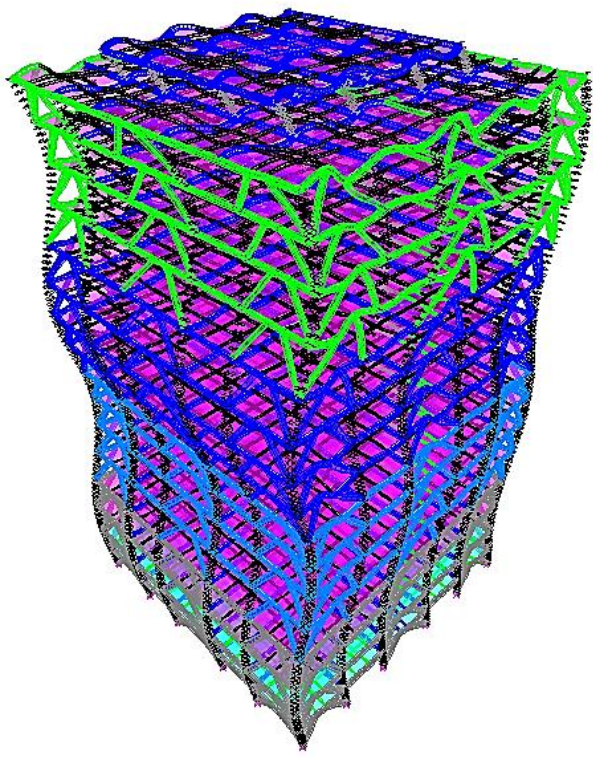


Industrial Equipments

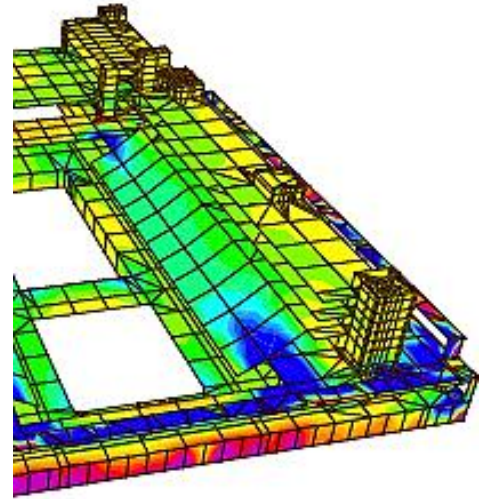
/Echipamente industriale

Fabrication, erection and start up for industrial projects

Executie, montaj si punere in functiune pentru proiecte industriale

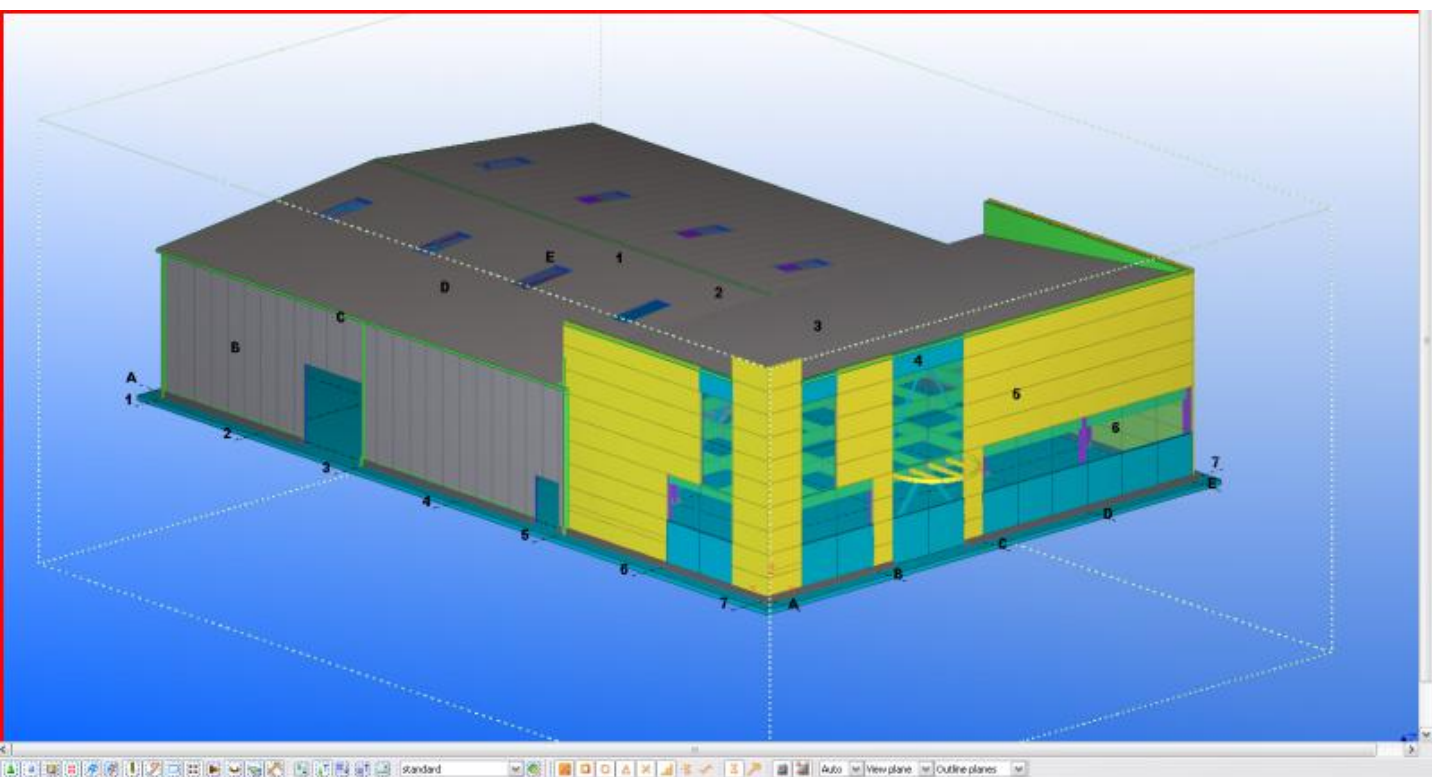


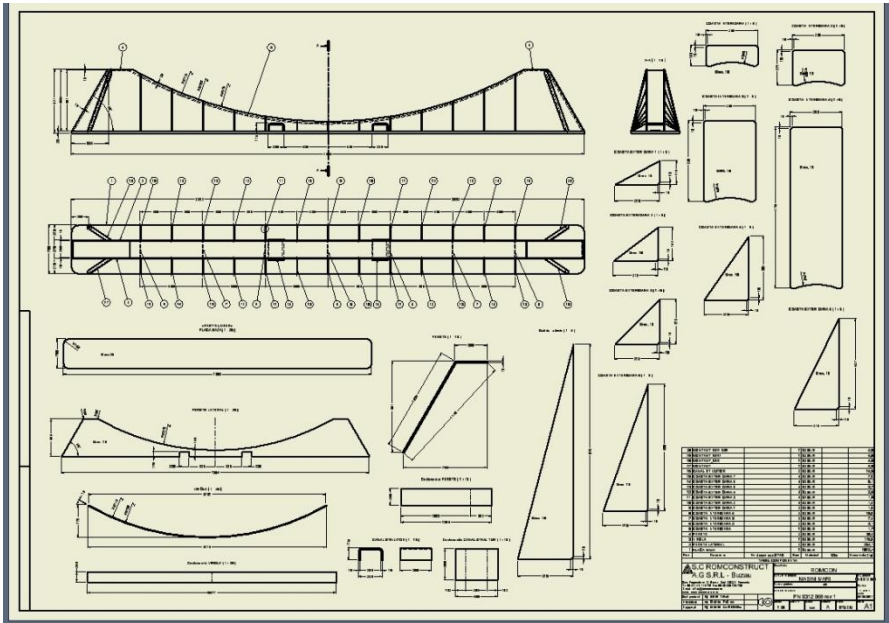
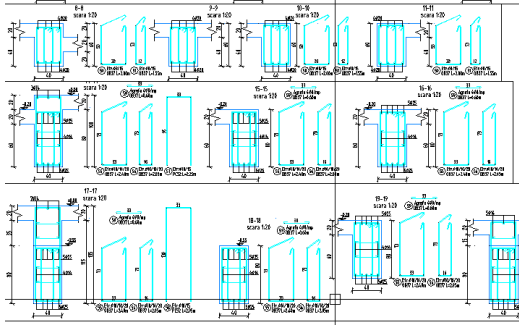
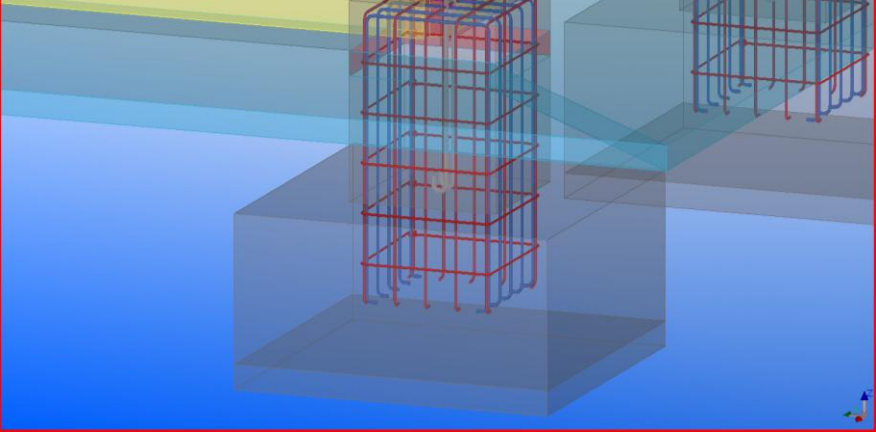
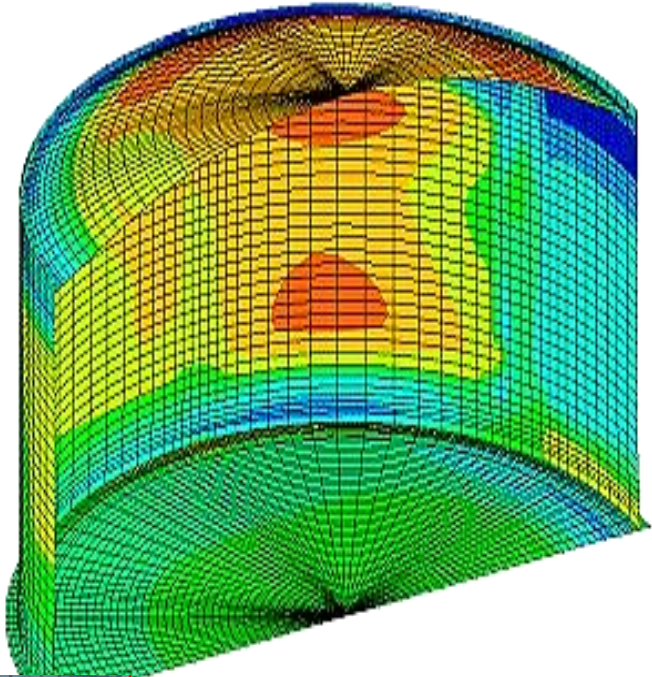
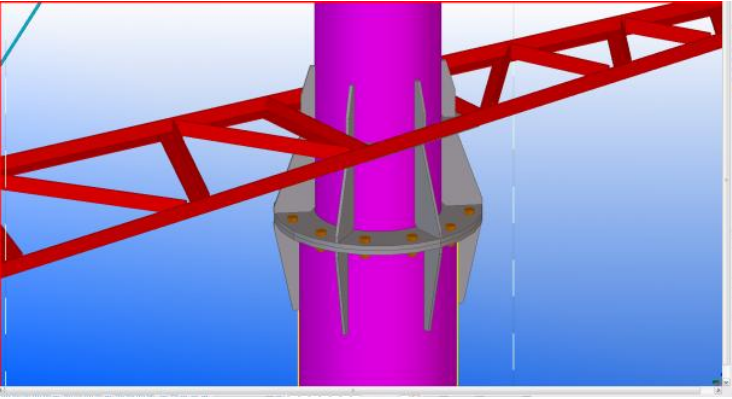
Structuri



Design

/Proiectare





Design

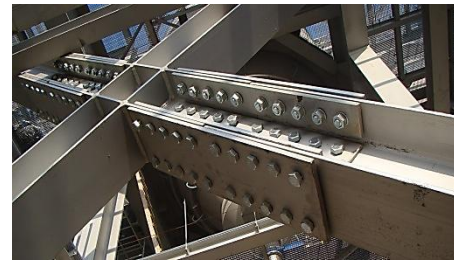
/Proiectare

Structuri speciale



Steel Structures

/Constructii metalice





Steel Structures
/Constructii metalice





Reinforced Concrete Structures

/Construcții din beton armat





Infrastructure and Public Utilities

/Infrastructura si Edilitare





Industrial Equipments

/Echipamente Industriale





Contact

/Contact

Headquarters Romconstruct AG

12, Soseaua Pogonele St., Buzau, Romania

Tel : 0040 238 726 731

Fax : 0040 238 726 730

E-mail : office@romconstruct.ro

Web: www.romconstruct.ro